

## Normal Office Partition Technical Information



halumm(China) Limited

Europe (Double Glass with Blind)

### Technical Specification

Character:

Double glass partition, easy installation, low construction noise, high recycling rate.  
Super wire installation to meet the wire installation requirement of any working places  
Partition can be customized to 3 layers according to different sound-insulation needs.  
Adapt to variety of thickness of glass to provide the best cost.

Size

Partition width: 1000-1200mm

Pure aluminum frame height: 4000mm

Aluminum-steel frame height: 6000mm

Partition thickness: 98mm. Adjustable range of size:  $\pm 10$ mm

Skirting height: standard 100mm (66mm、88mm available)

Surface Treatment (Optional)

Profile surface is treated by colorless oxidation

Profile surface is treated by electrostatic spray (we recommend gray and silver white color)

Profile surface is treated by wood-grain

Panel

Glass panel type:

Normal tempered glass

Laminate tempered glass

Super white tempered glass

Fire resistant tempered glass

Glass thickness: 5mm+5mm、6mm+6mm、6mm+8mm (10mm、12mm are optional)

Wood panel type:

12mm MDF +0.4mm wood veneer + surface painting

12mm HPL

12mm Melamine board

1.2mm Aluminum board

12mm Cement board with painting surface

12mm MDF + double faced laminate



**Blind**

Manual Blind

Divided by Spec: 16 mm wide blind, 25 mm wide blind)

Electrical Blind

Divided by spec: 16 mm wide blind, 25 mm wide blind)

**Hardware Accessory**

Fastener: make zinc planting, spraying, antirust treatment separately according to material itself.

Gating accessory: this company indicates brand and type .(Customer could choose freely)

**Character**

Good construction design makes the glass on two sides of partition easy to handle.

Europe office partition sound insulation index achieves: 40-45 dB

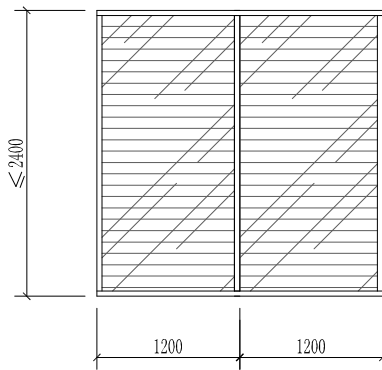
Profile adopts 6063-T5 aluminium alloy, which has a good performance on hardness and corrosion resistance

**Quality**

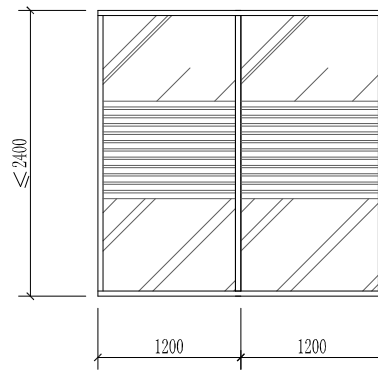
The designing, manufacturing, producing and selling all pass certificate of Quality Management System ISO 9001:2008 and Environment Management System 14001:2004. We guarantee product's quality.



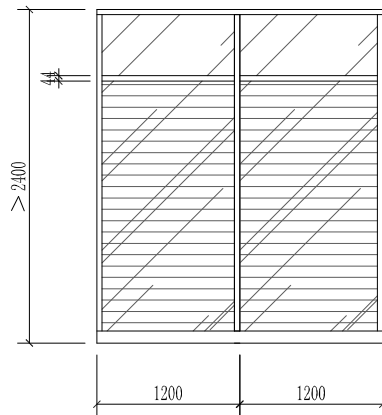
Elevation drawing-1



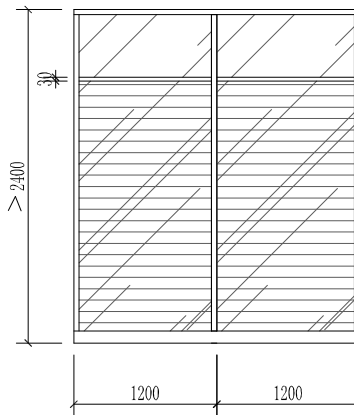
(a). Europe blind



(b). Europe acid-etched bar

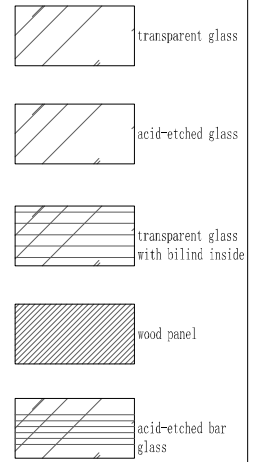


(c). Europe blind (add 44 main pillar)



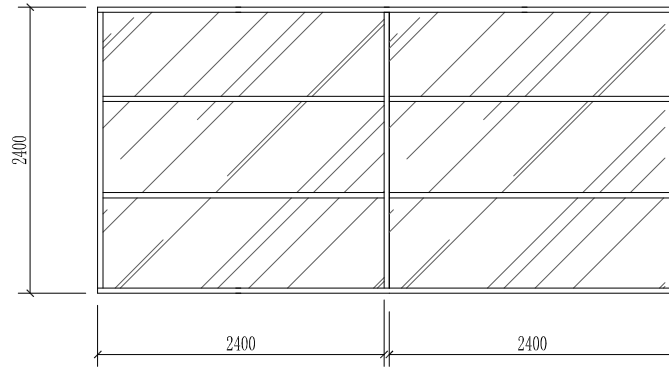
(d). Europe blind (add 30mm Crossbar)

Graphic symbol:

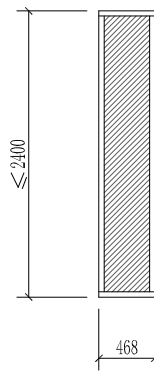




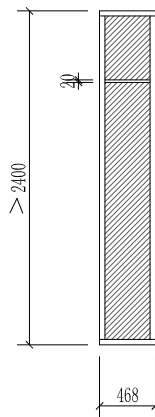
Elevation drawing-2



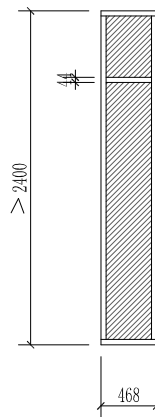
(d). all transparent Europe



(e). Europe panel

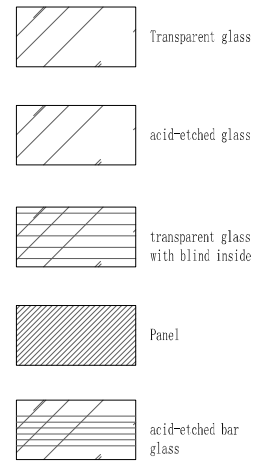


(f). Europe panel



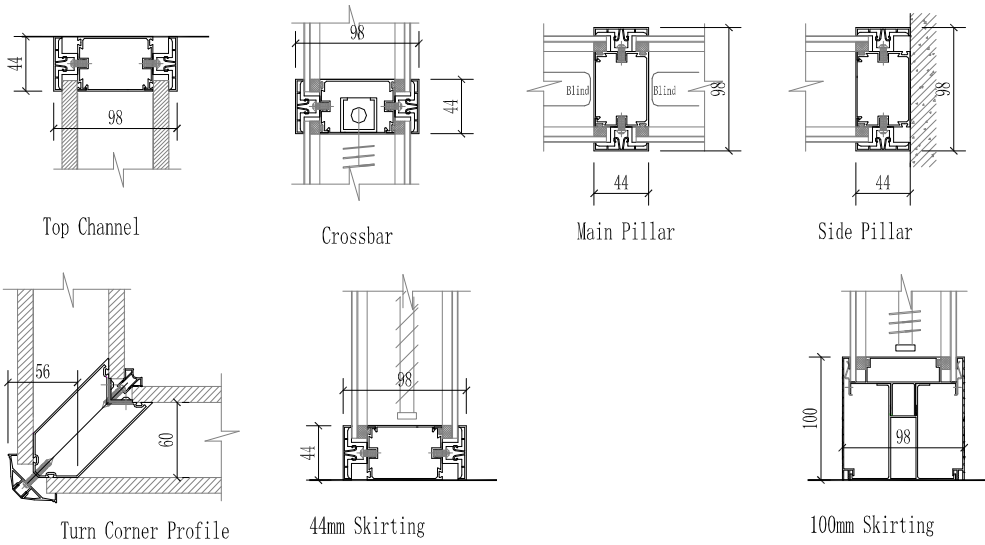
(g). Europe panel

Graphic symbol:





### Standard Section Photo



### Available Section Photo

