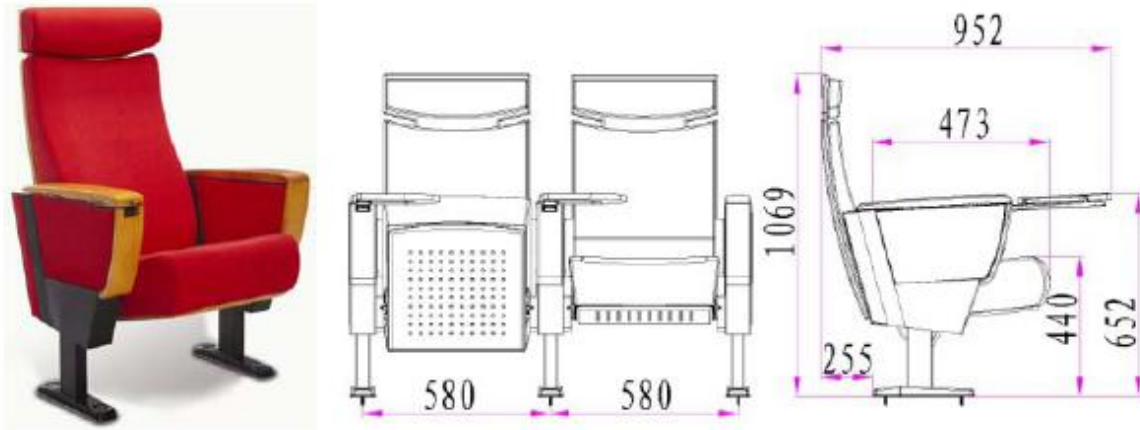


Specification

LS-621F



Rear back panel:

High-impact plywood (18mm thick) surface with wood veneer

Rear back panel:

High-impact plywood (18mm thick) surface with wood veneer

Back cushion:

Deluxe back cushion with distinctive treatment enhances your venue.

Cold-molded foam for years of service

Foam density: $55 \pm 5 \text{KG/ m}^3$

Cushion thickness: 120-165 mm

Armrest:

Hardwood armrest, housing writing tablet available

Seat cushion:

Ergonomic molded foam for optimal comfort

Tip-up seat with combination of spring and damping

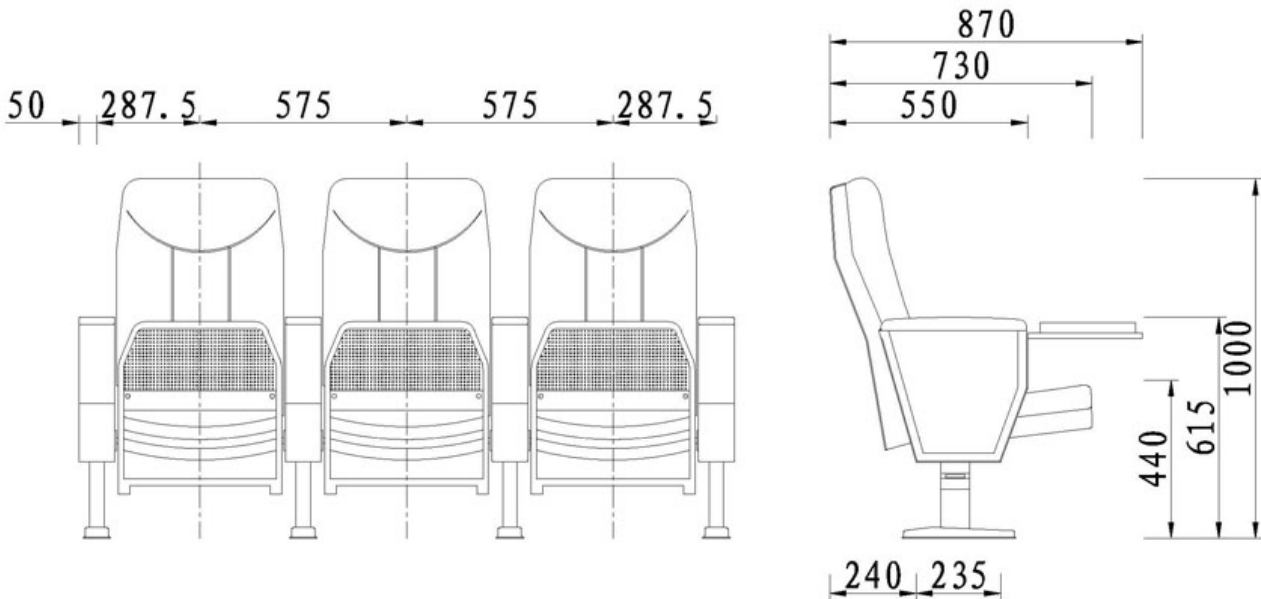
Foam density: $60 \pm 5 \text{Kg/m}^3$

Cushion thickness: 100-160mm.

Seat pan:

High-impact plywood (12mm thick) surface with wood veneer

LS-613AB



Rear back panel:

Injection molded, high-impact polypropylene outer back with texture surface for ease of cleaning and maintenance. Recyclable and eco-friendly

Back cushion:

Ergonomically backrest with right lumbar support enhances comfort.

Cold-molded foam for superior lifespan

Foam density: $55 \pm 5 \text{KG/ m}^3$

Cushion thickness: 120 mm

Armrest:

Imported hardwood armrest (beech/oak) , 30mm thick. Or PP armrest, available with housing writing tablet

Seat cushion:

Contoured seat cushion for superior comfort

Foam density: $60 \pm 5 \text{Kg/m}^3$

Cushion thickness: 100 mm.

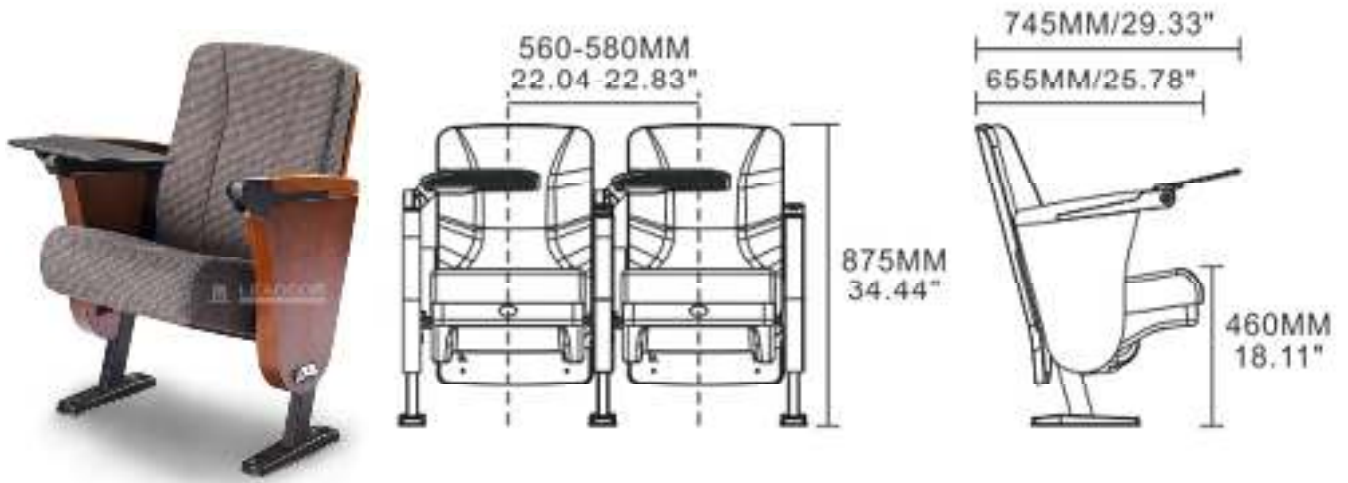
Tip-up seat with counterweight mechanism

Seat pan:

Injection molded, high-impacted polypropylene seat pan. Recyclable and eco-friendly

Standard:

Strong steel structural support, electrostatic powder coat finish



LS-10601WS

18mm plywood outer back and seat pan

* Wooden armrest & end panel

* BASF molded foam

* Steel leg

* PP writing board